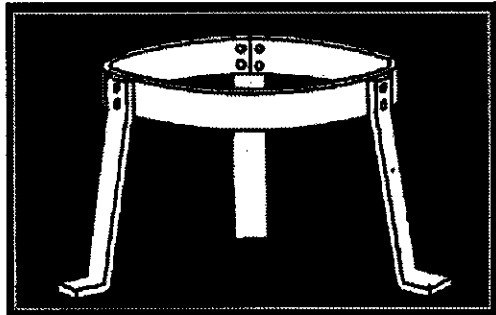
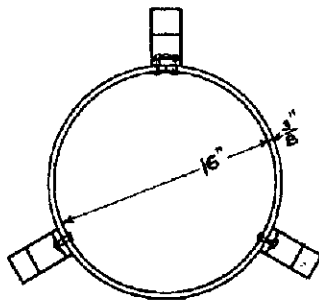


Without one, you just can't call a hovel a home.

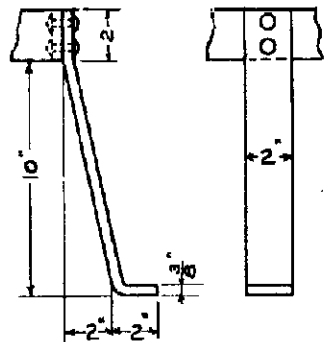


Ever wonder where to put a hundred pounds of blazing hot kettle?

This period stand can be used as either a holder for iron kettles or a cooking platform. Just find some 1/4-in. cold-rolled steel, available at any welding supply shop, and heat it with a propane torch to make bending easier. Join the legs to the hoop with 5/8-in. iron rivets.



Overhead View



Leg Details