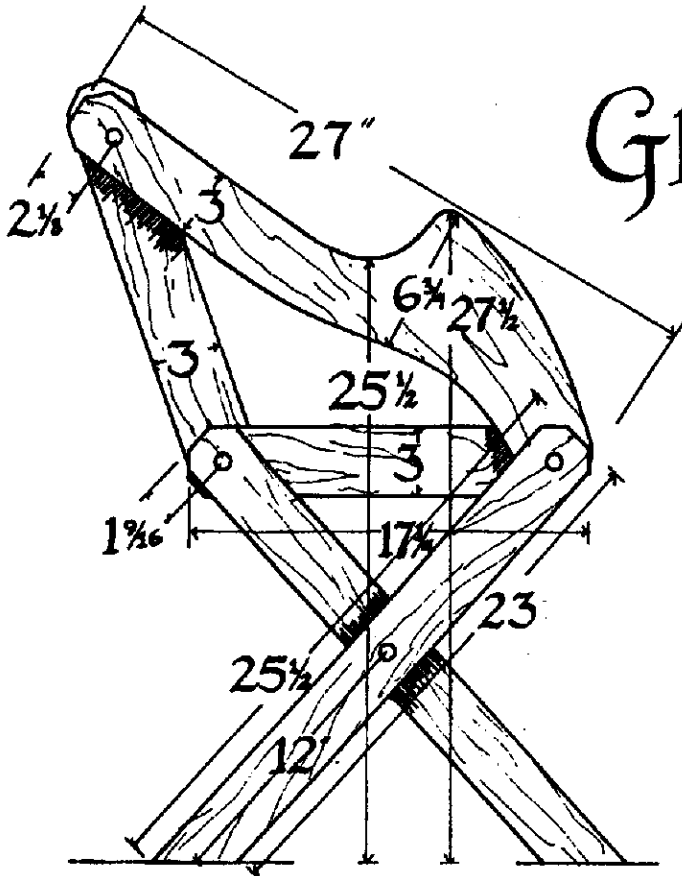


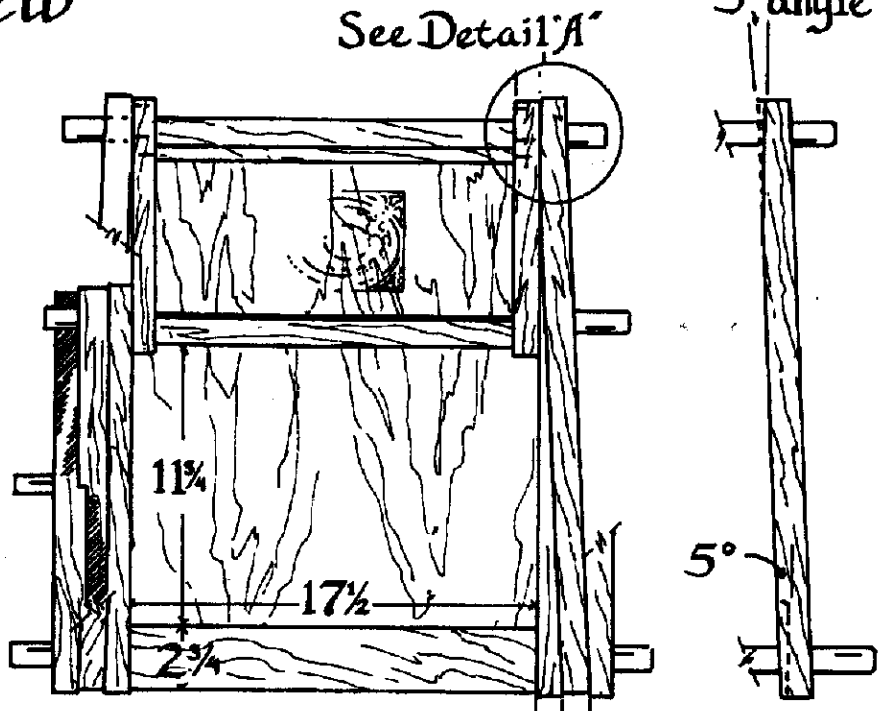
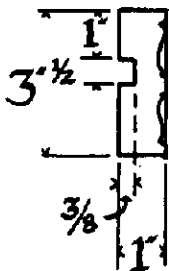
Glastonbury Chair



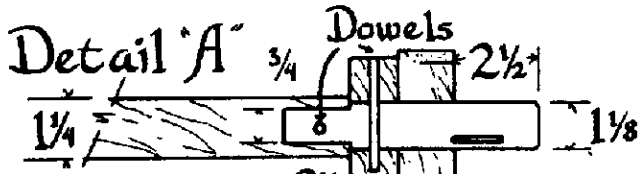
Side View

Arm Detail
5° angle

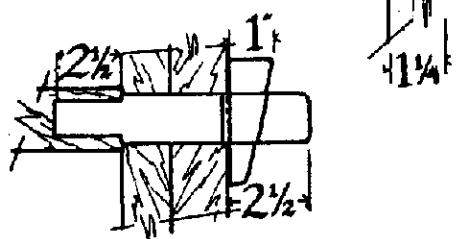
Top View
Side Rail
with chamber
for seat



©1994 Daniel Diehl

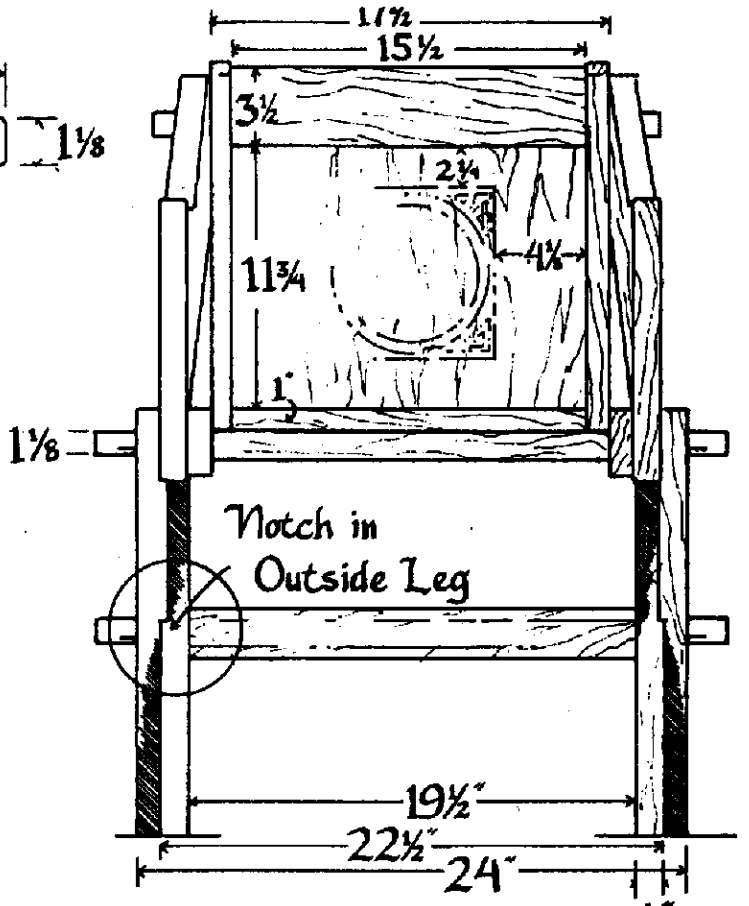
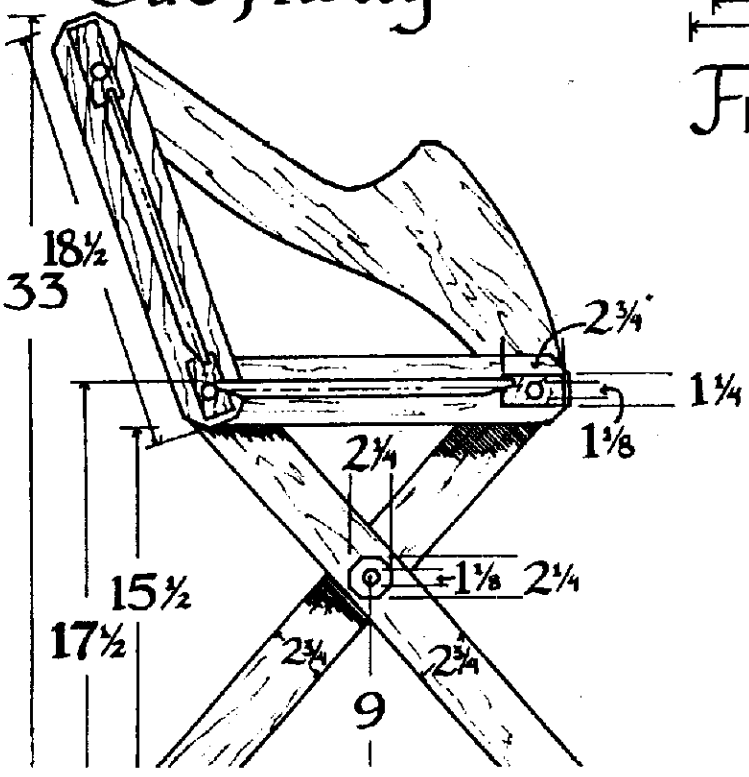


Dowel Detail

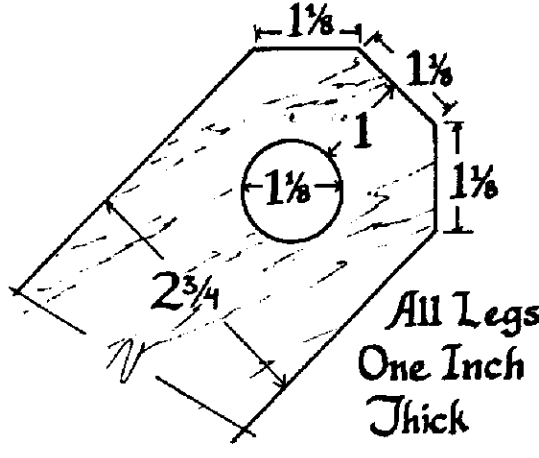


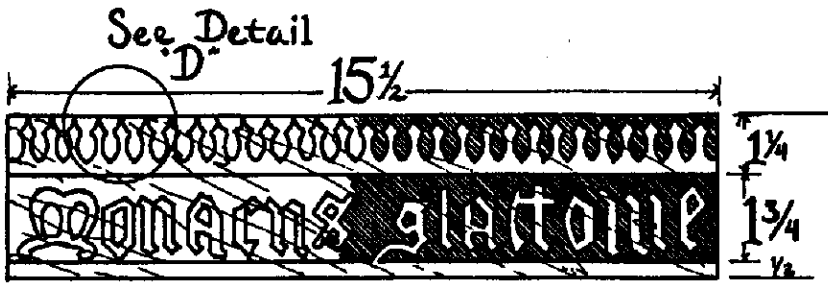
Detail B
Wedge Detail
Side View

"Cut Away"

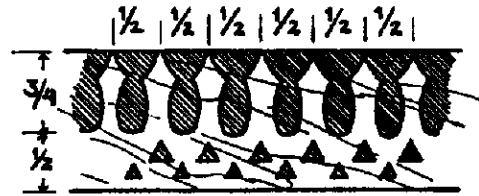


Leg-Detail C





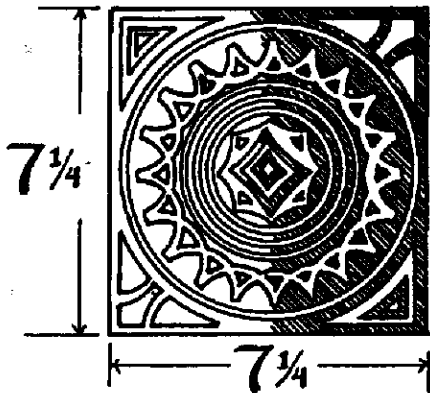
Top Rail Front



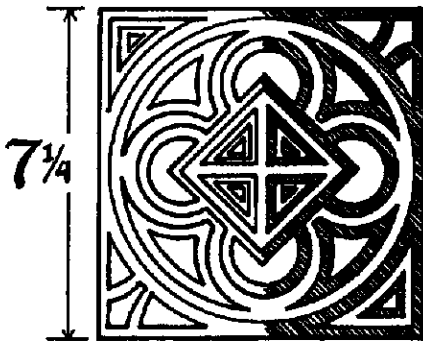
Detail 'D'

Scale 6"=10"

Back Panel



Front

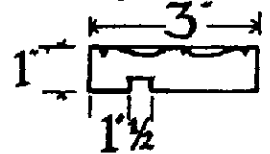


Reverse

Scale 3"=1'0"

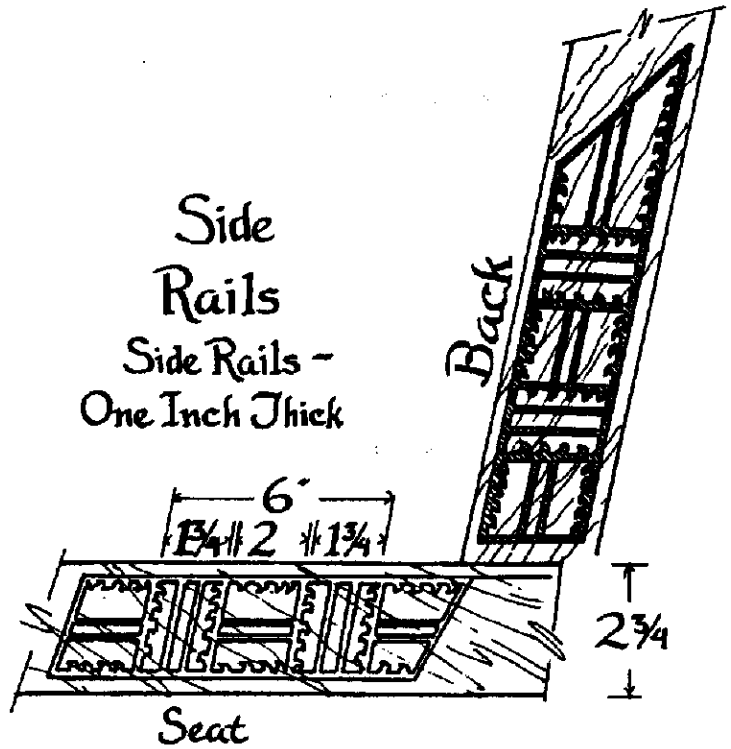
Carvings

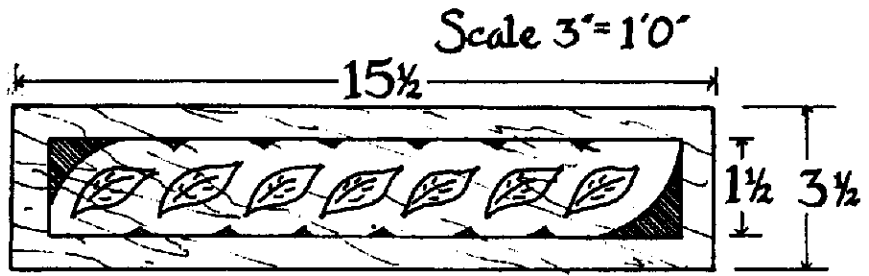
Side Rail Profile



Side Rails

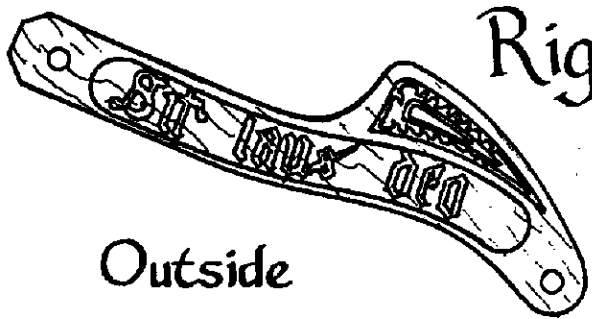
Side Rails - One Inch Thick



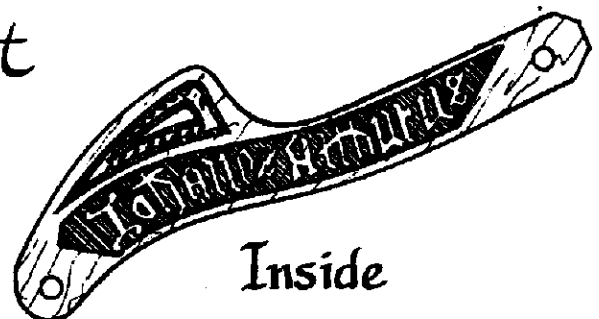


Top Rail - Reverse

Right

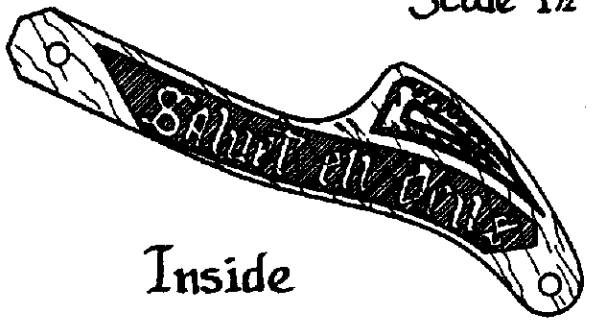


Outside



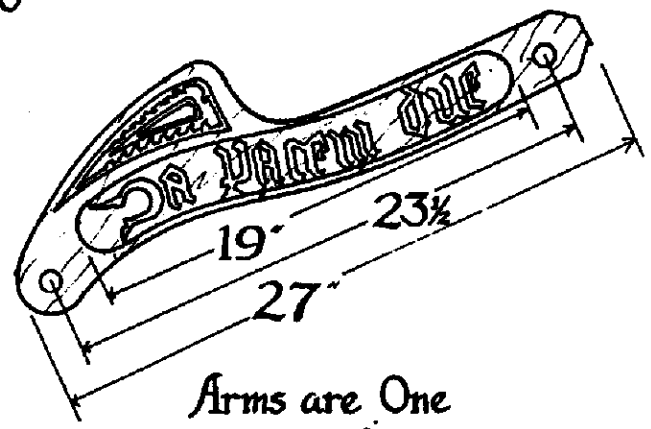
Inside

Scale 1 1/2" = 1'0"



Inside

Left



Arms are One and One Quarter Inch Thick

Arms