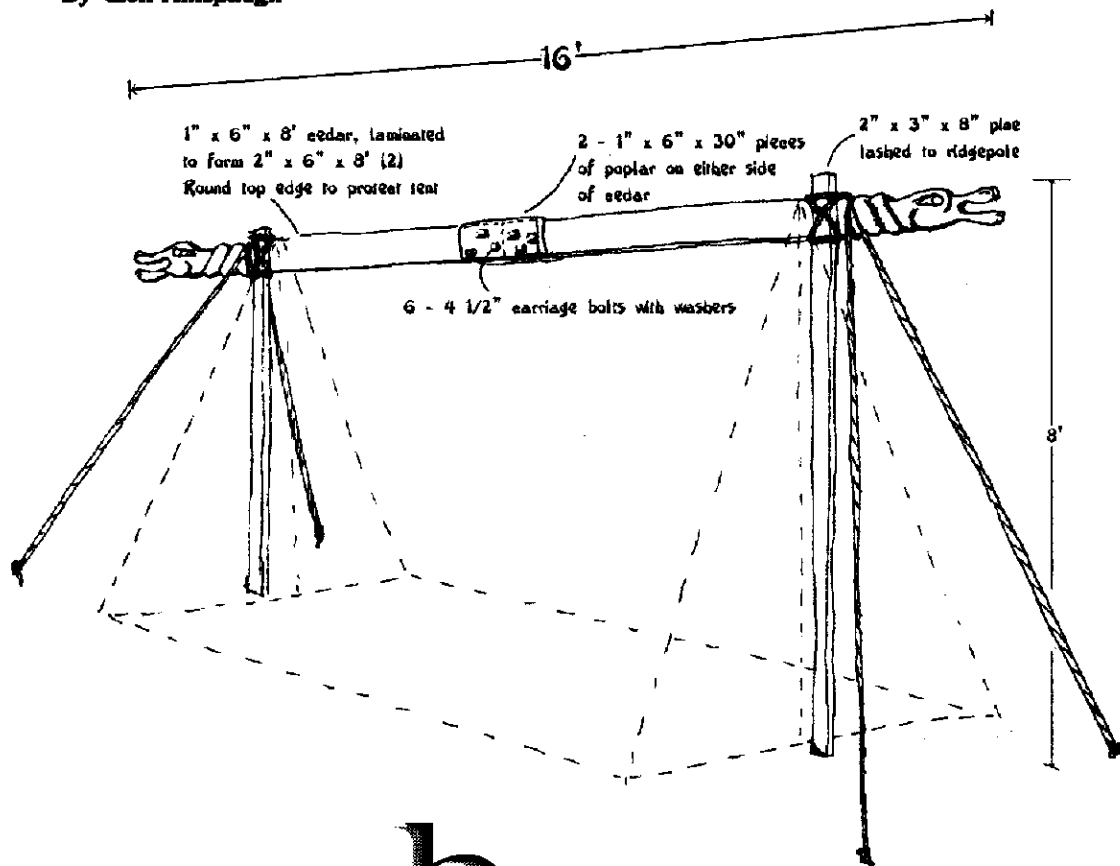


A VIKING TENT

By Glen Amspaugh

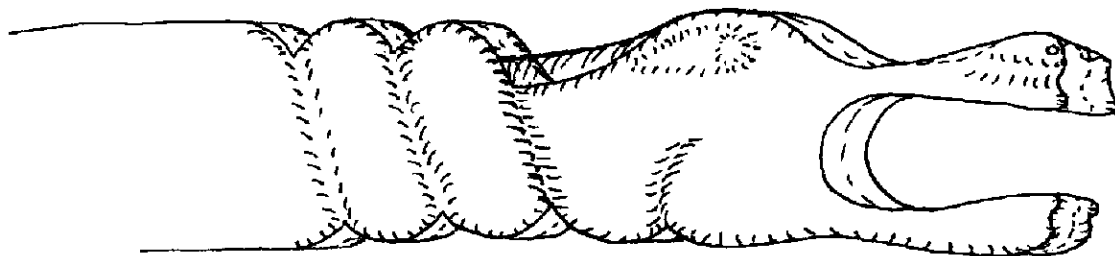


h

ere are the plans for a modified Anglo-Saxon style tent. I have moved the uprights outside the tent for more room, and also to have areas for banners. The dragon head design is based on one of Holly Bird's (Mistress Hollen of Kestrelmere) that she used on a Viking-style tent. This tent can be raised by one person, but two works better. The fabric is a basic rectangle with door flaps. Loops should be sewed to the bottom edges to accept wooden pegs, which stake the fabric to the ground.

- To create the carved head:*
- Cut silhouette from 2" x 6"
 - laminate 2 pieces together
 - Cut away marked areas using a 1/2" wood chisel

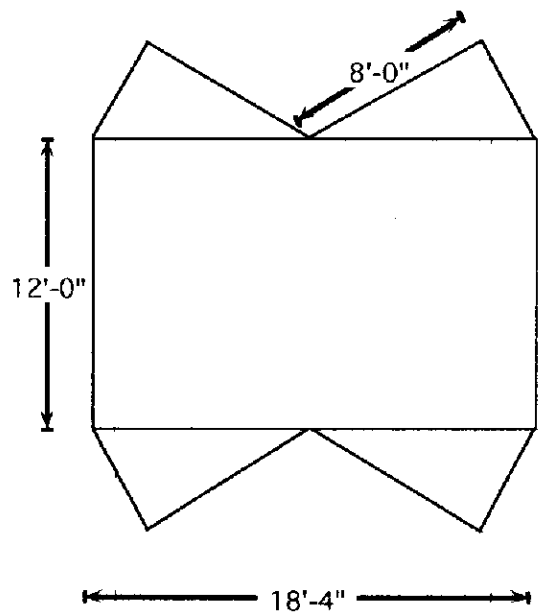
CONTINUES ON NEXT PAGE



Viking (cont.)

The fabric used should be 48" canvas. I treated mine with Thomson's water seal (3 gallons) by putting the tent in a clean garbage can and pouring the water seal in. The tent absorbed the entire amount.

A question I have is how to get taller uprights that look period and still break down to less than 8'. Also, I would be interested in an alternative way of attaching the uprights to the ridge beam if anyone has a good idea.



Simple. Just make a folding frame

Several years ago, when Hilary and I built our first Viking tent, we wanted a portable design that would fit into a small trailer. We designed this 20-ft. tent with a collapsible frame. The photo below shows the tent at an event on the Gulf Coast of Alabama (Meridies), where it withstood gale force winds. I still see it at Pennsic every year.

The uprights maintain their rigidity using a simple system of chest latches and hinges. Just

bolt the hinge to the vertical or horizontal members, and attach two standard chest latches to the rear side. You will need to drill a hole in the latch to accept the bolt from the hinge. Use 3/4-in. wood screws for the other side of the latch.

Editor

